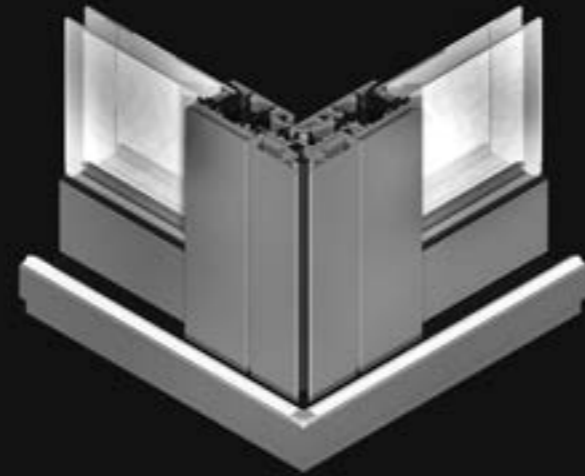


LE CATALOGUE

# SOLEAL, the 90° corner sliding system for large contemporary openings

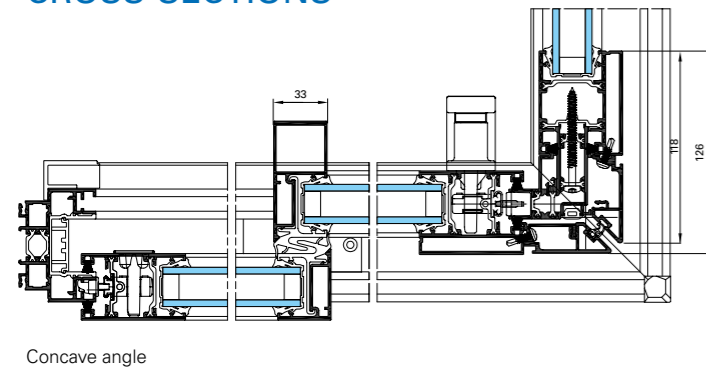
## PRODUCT BENEFITS

- Basic configurations from 2 to 4 tracks and full-access up to 3 tracks
- Opening with a concave or convex angle
- Large sizes available up to W 6 m x H 2.50 m per side, on 3 tracks
- Discreet corner post
- Concealed drainage in all configurations
- Accessibility solutions in accordance with legislation on access for disabled persons available for all configurations

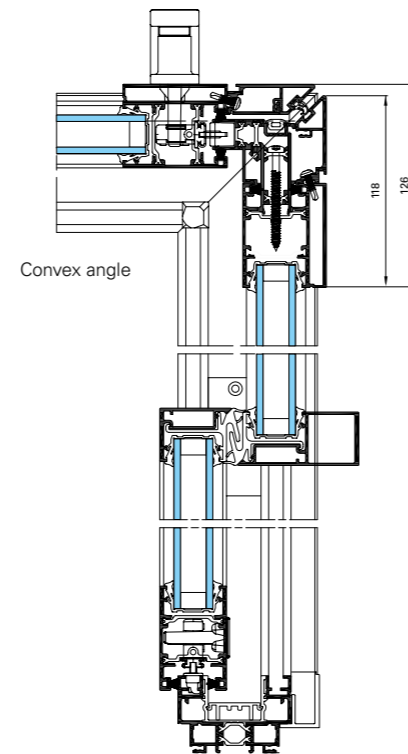


Photography: DR Technal

## CROSS-SECTIONS



Concave angle

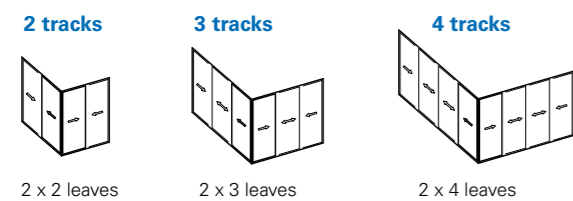


Convex angle

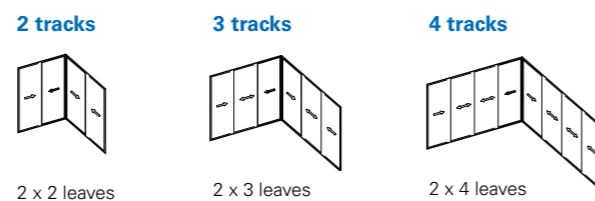
## CONFIGURATIONS

Basic frame

Concave angles



Convex angles



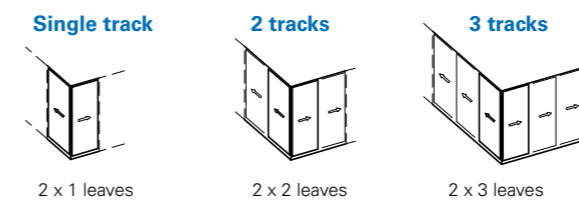
## PERFORMANCE

	MAXIMUM DIMENSIONS	Up to W 4.30 m x H 2.60 m. 2-leaf patio door on 2 tracks
	MAXIMUM WEIGHT PER LEAF	Up to 200 kg
	THERMAL	Up to 1.4 W/m <sup>2</sup> .K, Sw: 0.45 and TLw: 0.59 Double glazing with Ug = 1.0 W/m <sup>2</sup> .K + insulating crossbar (W 4.30 m x 2.60 m)
	ACOUSTIC	-34 dB (Ra, Tr) Patio door with 2 tracks - 2 leaves (W 2.35 m x H 2.18 m)
	WEATHER PERFORMANCE	A <sub>4</sub> -E <sub>7A</sub> -V <sub>B2</sub> * 2 tracks - 2 leaves with a disabled access threshold (W 3 m x H 2.5 m)
	ACCESSIBILITY	Disabled access threshold

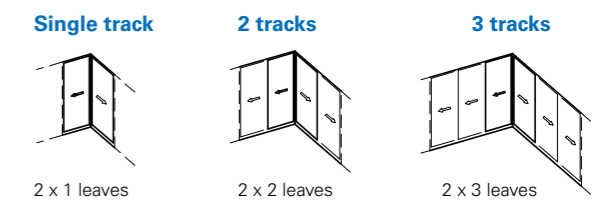
Test results according to product standard NF 270-1  
\*(A = Air, E = Water, V = Wind)

Full-access frame

Concave angles



Convex angles





**TECHNAL®**

The world looks better