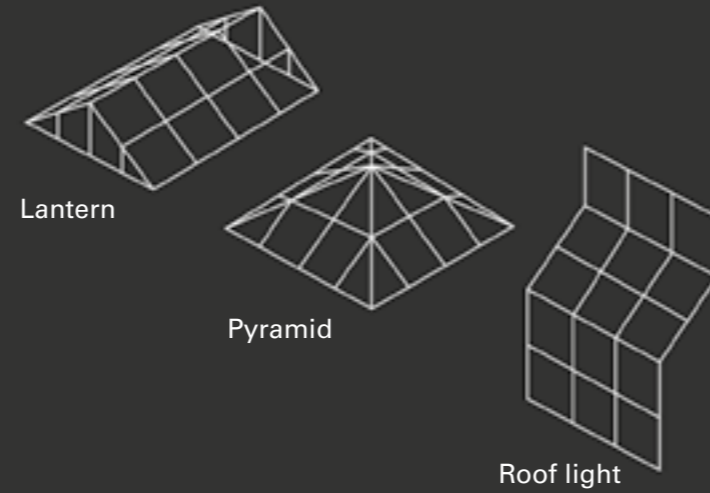


LE CATALOGUE

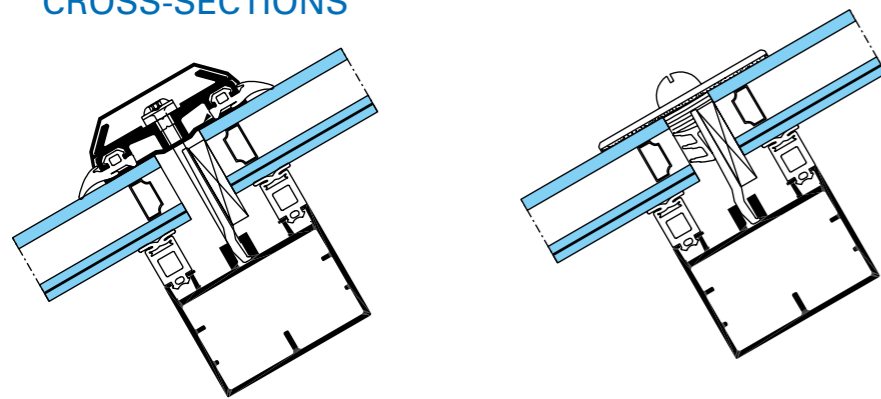
GEODE sloped glazing for inclined roofs consistent with vertical walls

PRODUCT BENEFITS

- 2 possible external looks: visible grid or vertical frame
- Water retention management with drainage at the ends of transoms through the glazing bars
- Glazing deformation is minimised thanks to the vertical caps and the silicone gasket
- Possibility of double glazing using structural silicone
- Minimum incline of 5 ° (validated by the CSTB) with double glazing
- The rafters and transoms are square cut and assembled using the penetrating transom principle
- Possibility of integrating an opening frame into the roof

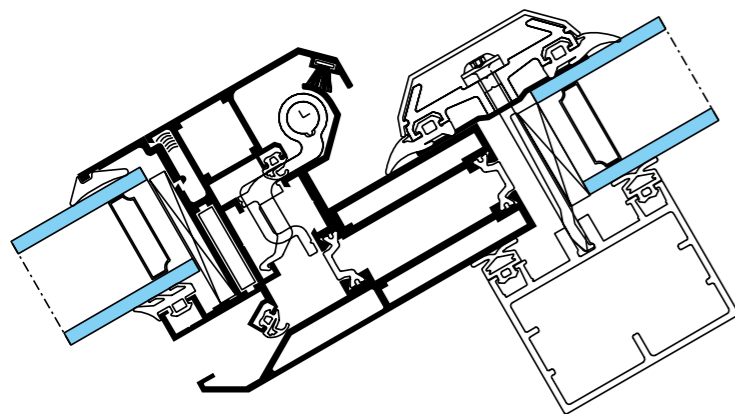


CROSS-SECTIONS



GEODE visible grid glass roof

GEODE vertical frame glass roof



GEODE roof opening frame

Architect: Nathalie Larralde - Photographer: Monthiers V.



TECHNAL®

The world looks better