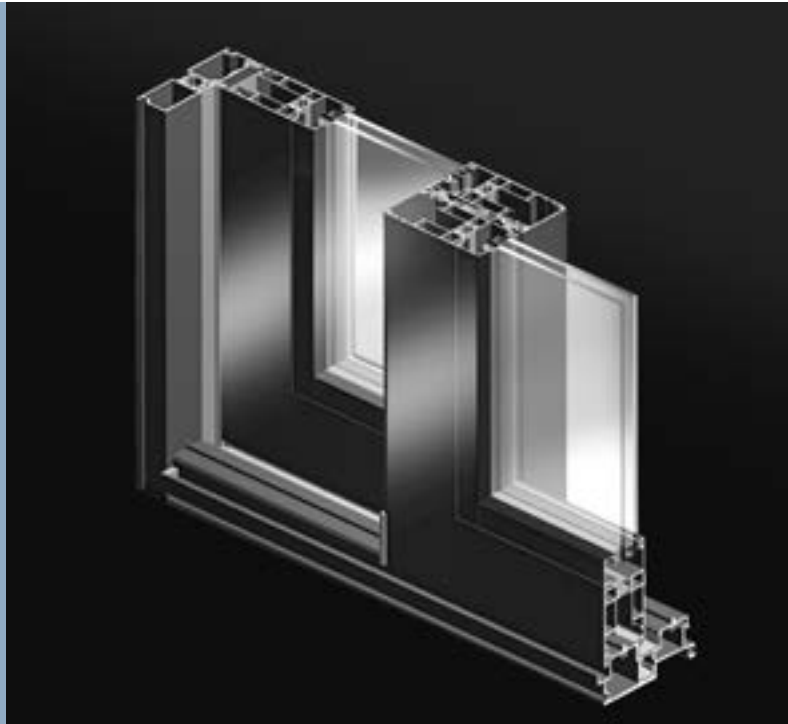


LE CATALOGUE

GALENE, the panoramic lift-and-slide system

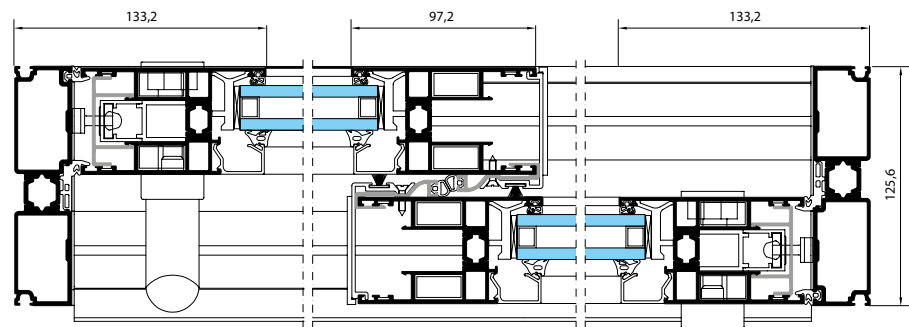
PRODUCT BENEFITS

- Lift-and-slide system with a 126 mm module
- Available with or without a thermal break
- Various configurations possible to meet the requirements of even the most ambitious architectural projects (including 90° angle sliding frames).
- Large sizes up to W x H = 6.5 m x 2.5 m available for the 2-leaf frame
- 2-,3- or 4-point locking systems activated by a special handle (single or double)
- Possibility of glazing with an integrated blind for solar protection

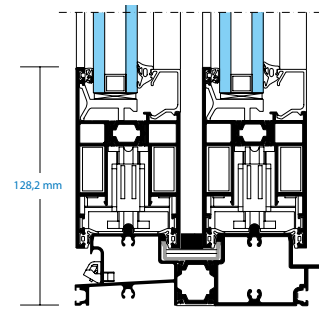


Architect: Mora, Sant Vicens Arquitectes Associats Photographer: Lluís Casals

CROSS-SECTIONS



Horizontal cross-section, 2 tracks, 2 leaves

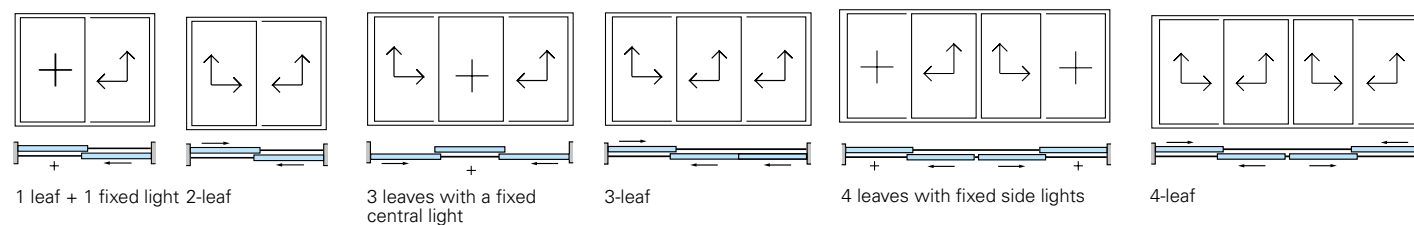


Vertical cross-section, 2 tracks

CONFIGURATIONS

Basic frame

2 tracks



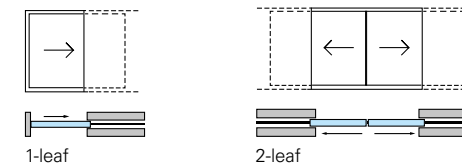
PERFORMANCE

	MAXIMUM DIMENSIONS	Up to W 6.50 m x H 2.50 m. 3-leaf patio door on 3 tracks
	MAXIMUM WEIGHT PER LEAF	Up to 300 kg
	THERMAL	Uw = 1.6 W/m ² .k With Ug = 1.0 W/m ² .K + insulating crossbar
	WEATHER PERFORMANCE	A ₄ E ₇ V _{C5} * 2-leaf patio door on 2 tracks (W 3 m x H 2.20 m)

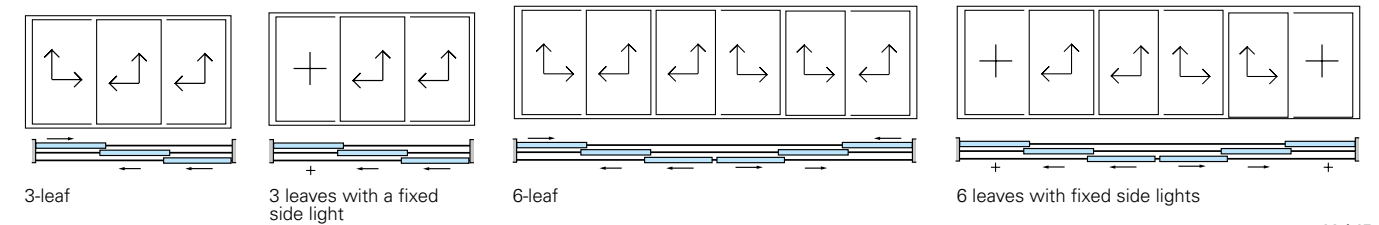
* (A = Air, E = Water, V = Wind)

Full-access frame

single track



3 tracks





TECHNAL®

The world looks better